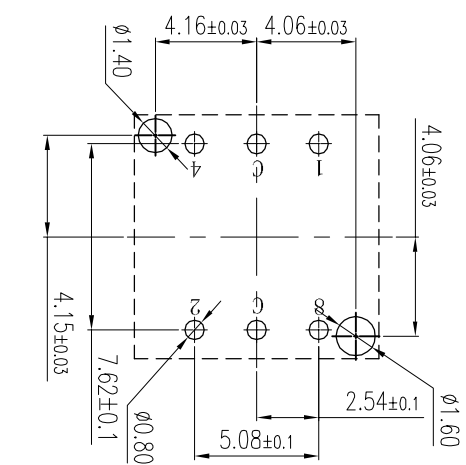


REV	ECN	CONTENT	CHECK	DATE
V1.0		ORIGINAL	PBB	2023.08.04
V2.0		优化产品改善旋钮配合间隙	PBB	2023.09.23

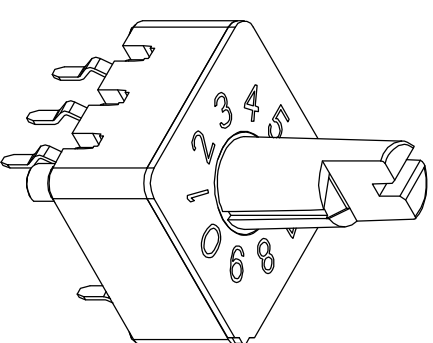
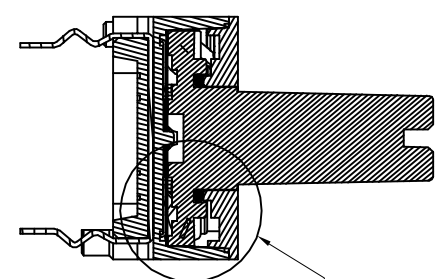
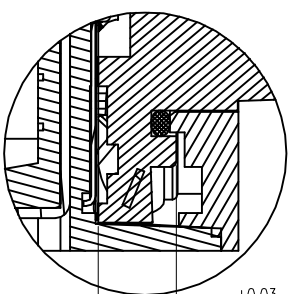
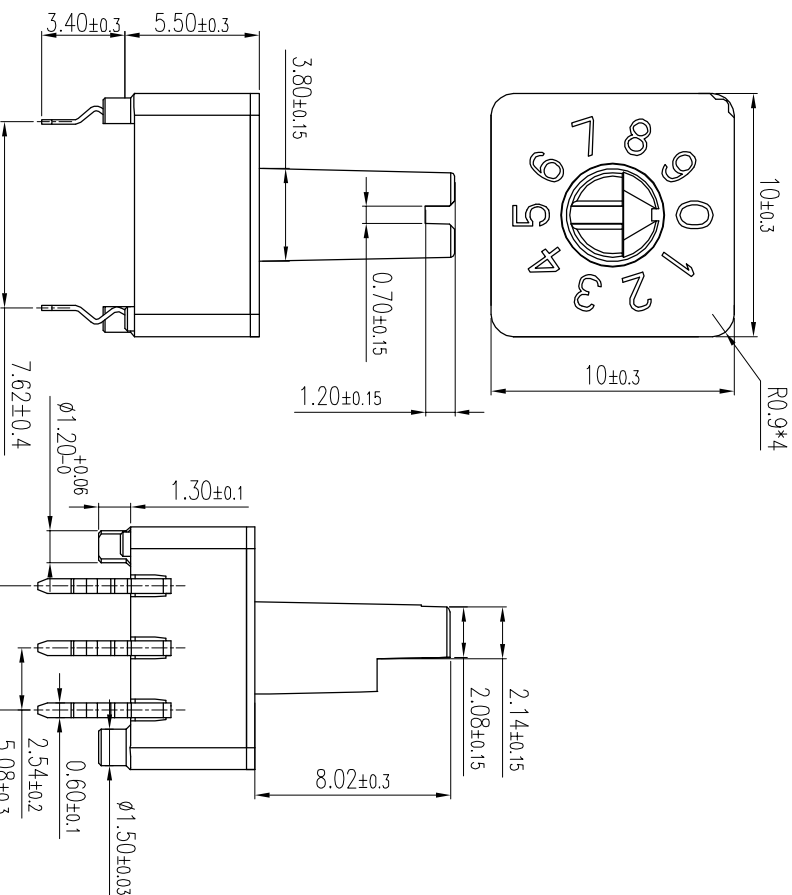


P.C.B. LAYOUT

- 技术要求:
- 额定电流: 25mA, 24VDC  
开与关切换时: 100mA, 50VDC  
开与关不切换时: 100mA, 50VDC
  - 接触电阻: 100mΩ max  
初始值: 200mΩ max  
寿命测试后: max
  - 绝缘电阻: 100MΩ min/250 VDC
  - 耐电压: 250VAC for 1 minute
  - 操作力: 550~750 gf.cm
  - 机械寿命: 10000 步 (10000/10=1000圈)
  - 工作温度: -40°C~+85°C
  - 存储温度: -40°C~+85°C
  - 符合RoHS要求

焊接说明:

回流焊: 240°C (20S max), 峰值温度260°C,  
手工焊接: 30W电烙铁, 320±5°C, 3S max



DETAIL: A  
SCALE: 2:1

TYPE	POSITION	CODE	订购方式:																
0	F	1	6KF001	A-3	S	1	0	R	5	0	-	X	X	X	X	X	X	X	X
1	E	2	A: DIP Type																
2	D	3	B: SMD Type																
3	C	4	焊脚位数:																
4	B	5	4: 4X1																
5	A	6	3: 3X3																
6		7	2: 3X2																
7		8	S: 标准品 (Gray)																
8		9	Y: Yellow																
9		10	R: 真实代码																
10		11	C: 反向打印																
11		12	10: 10 位																
12		13	16: 16 位																
13		14																	
14		15																	
15		16																	

General tolerance in mm

over	over	over	over	over	over	over	over	over	over	over	over	over	over	over	over	over	over	over	over	
±0.15	0	3	6	30	120	400	400	1000	±0.5	±0.8	±0.2	±0.5	±1.0	±1°	±30'	±20'	0.5	0.2	0.3	0.5

APP.	Cain	DATE	2023.09.25	NAME	6KF001A-3S10R5-0-8A
CHK.	WL	DATE <td>2023.09.23</td> <td>DWGNO.</td> <td>6KF001A-3S10R5-0-8A.DWG</td>	2023.09.23	DWGNO.	6KF001A-3S10R5-0-8A.DWG
DWG.	PPB	DATE <td>2023.09.23</td> <td>SHEET <td>1/1</td> </td>	2023.09.23	SHEET <td>1/1</td>	1/1
UNITS	MM	SCALE <td>1:1</td> <td>PROJECTION-METHOD</td> <td>☉</td>	1:1	PROJECTION-METHOD	☉



慈溪市凯峰电子有限公司  
CIXI KAIFENG ELECTRONICS CO., LTD